

DS-RX1HS

Dye-sublimation printer

DNP
Photo Imaging

The business kick-starter for high impact printing!

DS-RX1HS is the cost effective and easy-to-use solution for integrated kiosks and photo professionals. All of DNP's dye-sublimation expertise in an affordable printer with economic media.

Designed for on-site event photography use, the printer is able to output 700 photos sized 4x6" in a single run. Reliable and made for tough assignments, DS-RX1HS high print capacity and compact size will impress you.

A true workhorse!

2 YEARS
WARRANTY

6
inch



20% FASTER
THAN DS-RX1

LOW INVESTMENT

HIGH PRINT CAPACITY

ECONOMIC MEDIA

HIGH SPEED

MATTE & GLOSSY FINISH

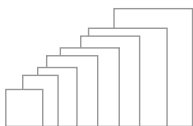
PERFORATED MEDIA

GET A TRULY ECONOMIC SOLUTION

- ▶ **Low initial investment**, with no sacrifice on functionality or quality
- ▶ **Economic photo consumables** ensuring a standard printing quality
- ▶ **Energy efficient** with low power consumption
- ▶ **Minimal consumables exchange** ensures easy maintenance and long cycles before changing media

PRINT ANY SIZE YOU WANT

- ▶ 3.5x5" (9x13cm)
- ▶ 4x6" (10x15cm)
- ▶ 5x7" (13x18cm)
- ▶ 6x8" (15x20cm)



Exclusive size
▶ **Photo strips:**
2x6" (5x15 cm)



BENEFIT FROM HIGH SPEED PRINTING⁽¹⁾

Print size	High speed mode on Glossy finish
4x6" (10x15cm)	12.4 sec.
5x7" (13x18cm)	19.9 sec.
6x8" (15x20cm)	21.9 sec.

Consumables	Prints/box	Perforated media	Without back print
RX1HS_46	1400	✓	✓
RX1HS_68	700		✓
RX1HS_57	700		

ENJOY DURABLE PERFORMANCE

- ▶ Reliable technology proven on-site
- ▶ **2 years warranty** or 40000 prints whichever comes earlier

PROPOSE INNOVATIVE MEDIA

- ▶ DNP's dye-sublimation quality
- ▶ Create a unique 4x4" social media print size and a tear-away 2x4" strip that can be used for a marketing message

▶ Perforated media



▶ 2 print finish



CHOOSE A WORKHORSE

- ▶ **High throughput**
- ▶ Large print capacity
- ▶ **290 prints per hour (4x6")**, in high speed mode with glossy finish
- ▶ **20% faster than its predecessor DS-RX1⁽¹⁾**



Compatible with DNP's range of software products: **Hot Folder Print, Party Print and Tomo.**

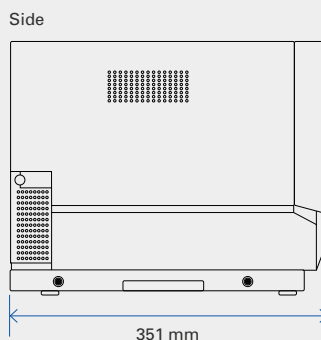
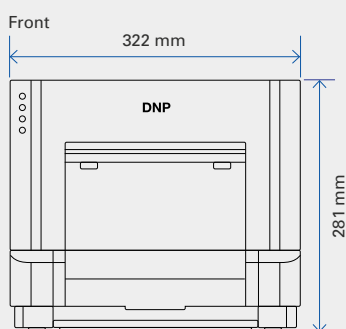
⁽¹⁾Actual printing speed varies depending on printing condition.

SPECIFICATIONS

Print deck	Simplex
Print technology	Dye-Sublimation thermal transfer 3-color ribbon YMC + Overcoat
Gradations	256 (8-bit) for each color
Resolution (dpi)	300x300 (high speed mode) 300x600 (high quality mode)
Ribbon rewind function	For Matte and Glossy
Possible connectivity	SL620 or DST4
Buffer memory	64MB
Interface	USB 2.0
Approx. weight	14 kg
Footprint	0.11 m ²
Media loading	Front loading
Power consumption (printing)	AC 240V-100V, 50/60Hz 1.6A / 3.9A
Compatibilities	PC / MAC

Specification is subject to change without prior notice.

TECHNICAL DRAWING



DNP PHOTO IMAGING EUROPE
22, Avenue des Nations
Immeuble Raphaël
CS 51077 Villepinte
95948 ROISSY C.D.G. Cedex
FRANCE

Tel : +33 (0)1 49 38 65 50
Fax : +33 (0)1 49 89 00 81
www.dnpphoto.eu